



EAGLE
DOWNHOLE SOLUTIONS

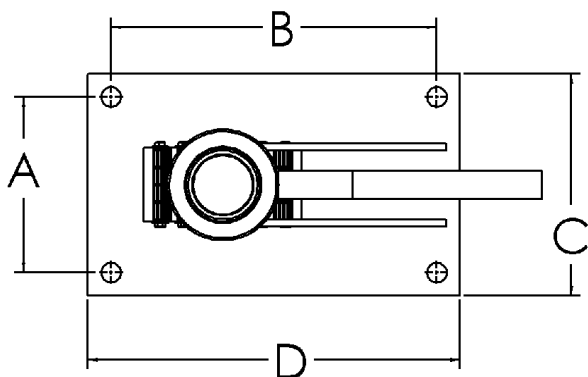
"Custom Solutions for your Application"

EAGLE C-TYPE PIPE VISE

Eagle Quality for a Vise You Can Count On

These vises are ruggedly built for oilfield application. They are fabricated from steel plate and utilize standard API tong dies for gripping. There is no cast material in the vise in order to minimize the risk of material embrittlement and failure under extreme use.

Our vises are offered in five (5) sizes:
8-1/2", 12-1/2", 16", 18", 22"
We typically stock all sizes except the 22", which are special order items.



SIZE	MIN PIPE O.D.	MAX PIPE O.D.	HOLE SIZE	A	B	C	D
8-1/2"	1-1/2"	8-1/2"	1-1/8"	9-1/2"	9-1/2"	12"	12"
12-1/2"	1-1/2"	12-1/2"	1-1/8"	9-1/2"	13-1/2"	12"	16"
16"	2"	16"	1-1/8"	9-1/2"	17-1/2"	12"	20"
18"	2"	18"	1-1/8"	9-1/2"	17-1/2"	12"	20"
22"	2"	22"	1-1/8"	9-1/2"	17-1/2"	12"	20"

13932 Old Texaco Rd. | Conroe, TX 77302 | www.eagledownhole.com

©Copyright 2009, by Eagle Downhole Solutions, LLC. All rights reserved. Not to be used, transmitted, in any form, or by any means, or copied without prior written permission of Eagle Downhole Solutions, LLC.